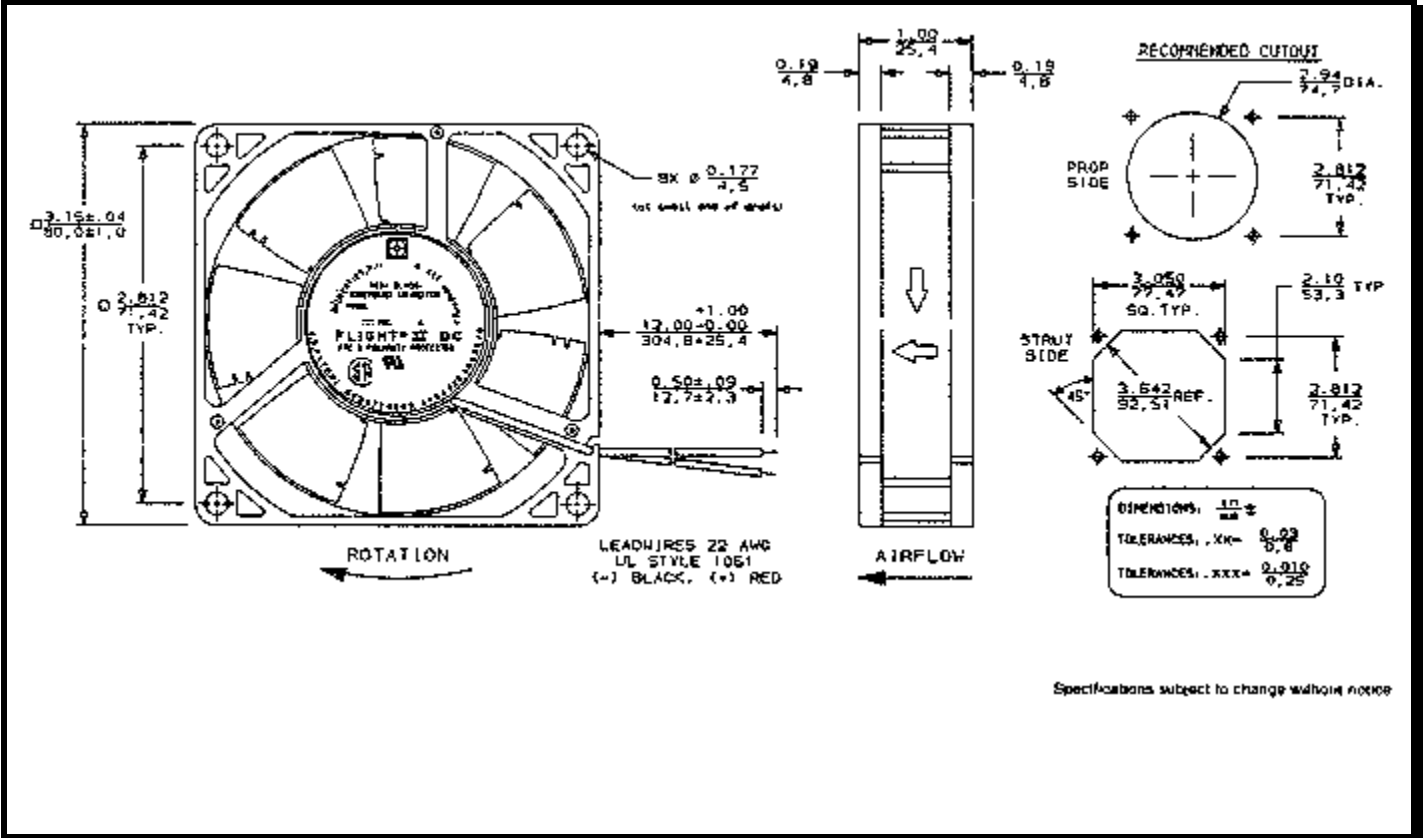


SPECIFICATIONS

Model Number: Fan 80mm

July 9, 2002

Mechanical Drawing:



Motor:

Nominal Voltage	= 12 vdc
Operating Voltage Range	= 6 – 12 vdc
Nominal Running Current	= 0.235 amps
Locked Rotor Current	= 1.00 amps
Running Power	= 2.8 watts
Average Speed	= 4200 RPM
Bearings	= Ball
Air Flow	= 37 CFM
Acoustic	= 36.2 dBA

Construction:

Venturi: PPS Plastic, Black, UL 94V-0
 Propeller: PBT Plastic, Black, UL 94V-0

Life Expectancy:

This fan is designed for continuous duty life of 60,000 hours at 25°C.

Additional Features:

Brushless DC Motor
 Electronic Locked Rotor Protection
 Polarity Protected
 Automatic Restart Capability
 Operating Temperature: -10°C to 70°C
 Storage Temperature: -10°C to 85°C
 Customer Private Label
 Thermal Speed Control
 PTC on 24" zip cord
 Environmental Protection Type II

Termination:

24" Harness, 22AWG, UL 1061
 Housing Amp: 172165-1; Terminal Amp 770902-1
 Pin 1: Red (M+)
 Pin 2: Black (M-)

Agencies:

UL, CSA
 UL Multiple Listing