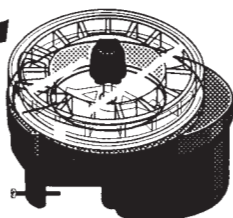


# LIFEGARD<sup>®</sup> AUTOMATIC FISH FEEDER



## IMPORTANT SAFEGUARDS

READ AND FOLLOW THE FOLLOWING SAFETY INSTRUCTIONS BEFORE INSTALLING THE FISH FEEDER.

**WARNING:** The following basic safety precautions must be observed to guard against injury.

### DANGER

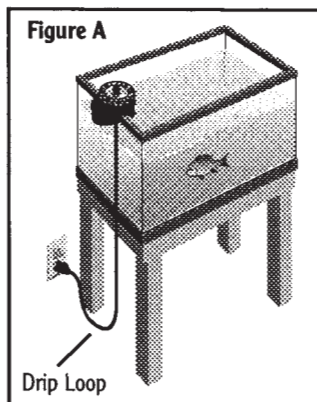
**1.** Special care must be taken to avoid possible electric shock for all electrical devices near water environments. In all cases, do not attempt to repair the motor of the feeder yourself. Return the unit to the factory for all motor repairs.

**2.** If the fish feeder falls into the aquarium water... **DON'T REACH FOR IT!** First unplug it and then retrieve it. Unplug the fish feeder immediately if any of the electrical components get wet. Never submerge the fish feeder in water at any time!

**3.** Carefully examine the fish feeder after installation. Do not plug in the unit if there is water on any parts.

**4.** Do not operate the fish feeder if the unit has a damaged cord or plug, if it is malfunctioning, or has been dropped or damaged in any manner.

**5.** Whenever possible, position the aquarium and stand to one side of a wall mounted receptacle to avoid the possibility of water dripping onto the receptacle or plug. Install a "drip loop" (figure A) with the fish feeder cord. The "drip loop" prevents water from traveling along the cord and coming in contact with the receptacle.



**6.** Always unplug the fish feeder when not in use, when putting on or taking off parts, or when cleaning. Never pull cord to release plug from receptacle. Grasp the plug and pull to disconnect.

**7.** Do not use the fish feeder other than for its intended use. The use of attachments not recommended or sold by the manufacturer may cause an unsafe condition and void the warranty.

**8.** Do not install or store the fish feeder where it will be exposed to any moisture or temperatures below freezing.

**9.** Make sure the fish feeder is securely installed on aquarium before operating unit.

**10.** Care should be taken when using an extension cord to arrange the cord so that it can't be tripped over or pulled. In addition, two drip loops are needed, one to protect receptacle and one to protect connection between extension cord receptacle and fish feeder plug.

**11.** Do not unplug the cord if the plug or receptacle does get wet. Shut off the circuit breaker or remove the fuse that supplies power to the fish feeder, then unplug and examine for the presence of water in the receptacle.

**12.** Close supervision is necessary when used by or near children.

**13.** To avoid injury do not contact moving parts or hot parts such as heaters, reflectors, lamp bulbs etc.

**14.** Read and observe all important notices on the appliance.

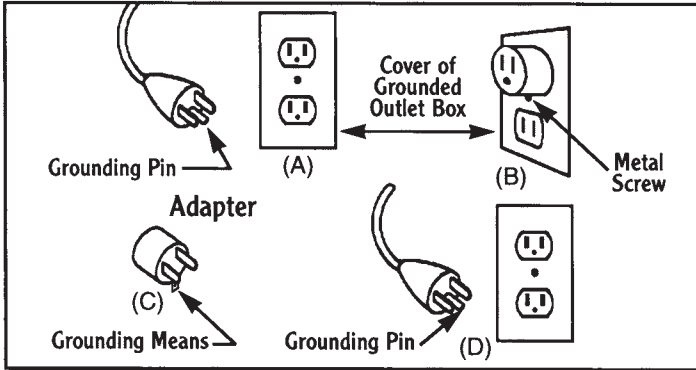
**15.** If an extension cord is necessary, a cord with proper rating should be used. A rated cord for less amperes or watts than the appliance rating may overheat.

## SAVE THESE INSTRUCTIONS

### GROUNDING INSTRUCTIONS

This appliance should be grounded to minimize the possibility of electric shock. This appliance is equipped with an electric cord having an equipment grounding conductor and a grounding type plug. The plug must be plugged into an outlet that is installed and grounded in accordance with all appropriate codes and ordinances.

This appliance is for use on a normal 120 volt circuit, and has a grounding plug that looks like the plug illustrated in (A) below. A temporary adapter which looks like the adapter illustrated in (B) and (C) below may be used to connect this plug to a two-pole receptacle as shown in (B) if a grounded outlet is not available. The temporary adapter should be used only until a grounded outlet can be installed by a qualified electrician. The green-colored rigid ear (lug, and the like) extending from the adapter must be fastened to a permanent ground such as a grounded outlet box.



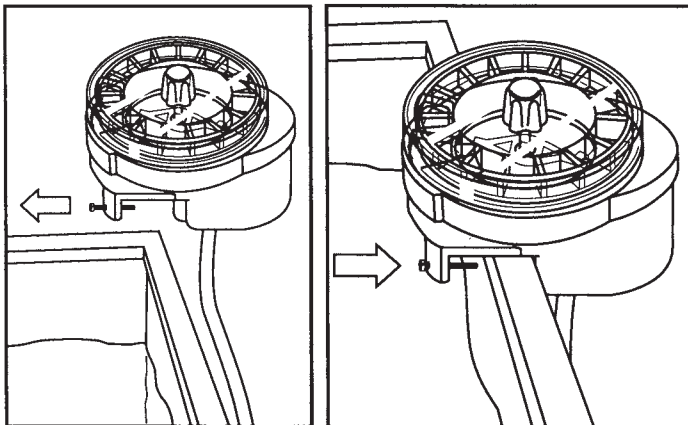
## INSTRUCTIONS FOR USE

### CAUTION:

### Do not immerse in water.

Do not install fish feeder over an airstone or power head pump where there is a chance water spray or moisture will enter the feeder. Keep water level of aquarium low enough to prevent water from entering the feeder due to fish splashing. For best results food should be kept dry.

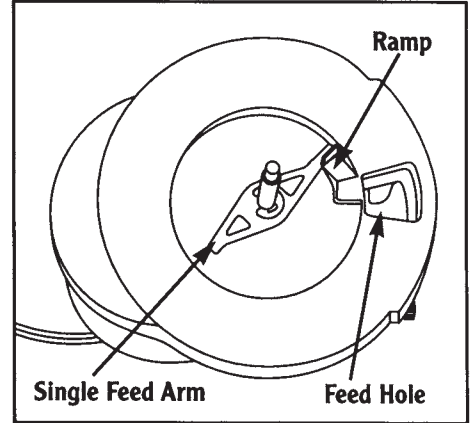
## INSTALLATION



Back out the two screws to allow feeder to clear the molding strip on the top of your aquarium. Tighten screws bringing the tips in contact with the inside wall of the aquarium. Do not use extreme pressure when tightening screws. Over tightening may cause glass to break.

## ONCE A DAY FEEDING

1. The Lifeguard Fish Feeder includes a single feed arm installed in the unit for one feeding every 24 hours. To load the feed dial turn knob in clockwise direction until single feed arm is positioned at the start of the ramp adjoining the feed hole opening.



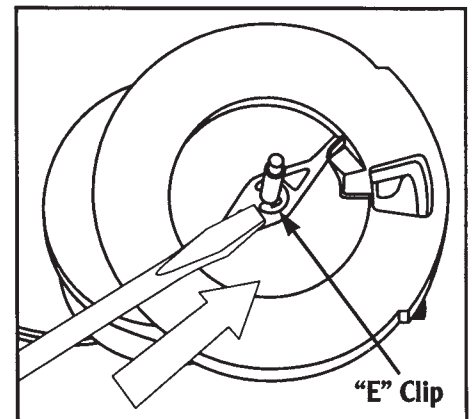
2. Rotate the feed dial cover and fill each of the 14 compartments with amount of food (flake or pellet) you normally feed your fish at one feeding.

3. Plug in the unit and your fish will be fed 1 to 1½ hours later and at that same time each day. If you do not wish feeding to commence 1 to 1½ hours from installation, delay plugging in the unit until a convenient time.

## CHANGING THE FEED CYCLE

### (New installation, without food in feeder)

Included with the fish feeder are 2 double feed arms for 2, 3, or 4 feedings in a 24 hour period. A spare "E" clip is provided in case the original is lost. To change the feed cycle follow this procedure:

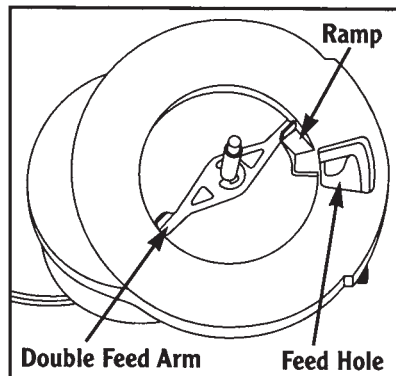


1. Unscrew knob counter clockwise. Remove knob, spring, feed dial cover and feed dial.

2. Remove "E" clip by carefully pushing clip away from shaft.

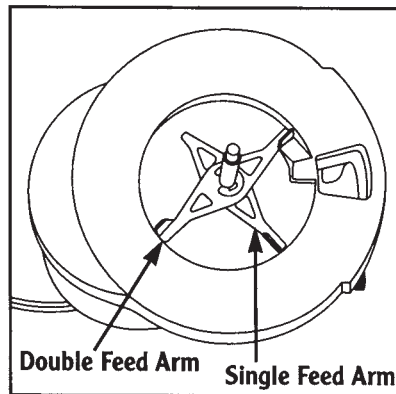
### 3. FOR 2 FEEDINGS EVERY 24 HOURS:

Remove single feed arm and replace with double feed arm. Line up the square in feed arm with square on the motor shaft. Replace "E" clip by pressing down and positioning clip into groove on shaft. Push until "E" clip snaps into place. Replace feed dial, feed dial cover, spring, and knob. Turn knob clockwise until double feed arm is positioned at the start of ramp adjoining feed hole opening. Rotate feed dial cover and fill each compartment with desired amount of food.



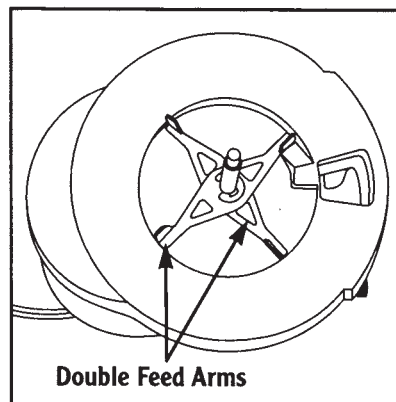
### FOR 3 FEEDINGS EVERY 24 HOURS:

Follow same directions but place double feed arm on top and 90° from single feed arm.



### FOR 4 FEEDINGS EVERY 24 HOURS:

Follow same directions but place one double feed arm on shaft. Place another double feed arm on top and 90° from first double feed arm.



## CHANGING FEED CYCLE (with food in feeder)

Unplug feeder and place container under the drop hole. Manually rotate feed dial knob clockwise emptying any remaining food or wait until end of 14 day cycle. Follow steps in **CHANGING FEED CYCLE (New installation)** section.

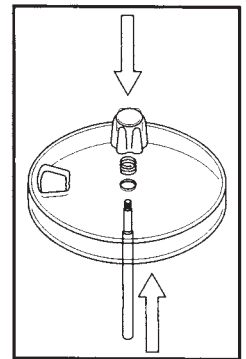
## CLEANING FISH FEEDER

Unplug fish feeder. Remove knob, spring, feed dial cover, and feed dial. Clean each with a dry cloth and reinstall.

## INSTALLING OPTIONAL FISH FEEDER HOPPER

1. Unplug the Fish Feeder. Remove knob, spring, and feed dial cover.

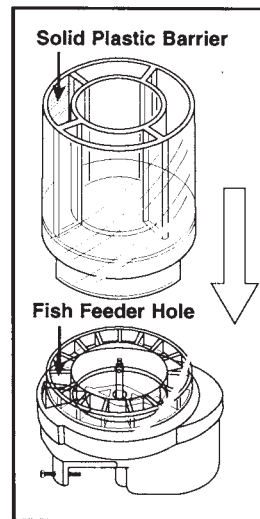
2. Push extension shaft through feed dial cover and thread the



shaft into the knob with the spring in place.

3. Place the Hopper over the motor shaft and feed dial with the solid plastic barrier (at the top of the hopper) over the fish feeder hole.

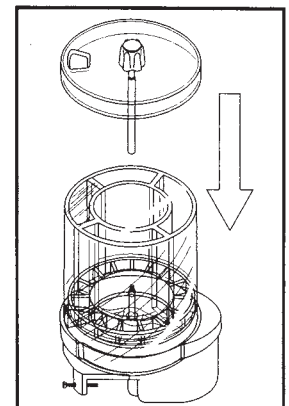
4. Fill the hopper from the top with food. NOTE: Do not fill the center, only the three outside compartments.



5. Thread the cover, shaft and knob assembly onto the motor shaft of the fish feeder and plug in.

### HELPFUL HINTS:

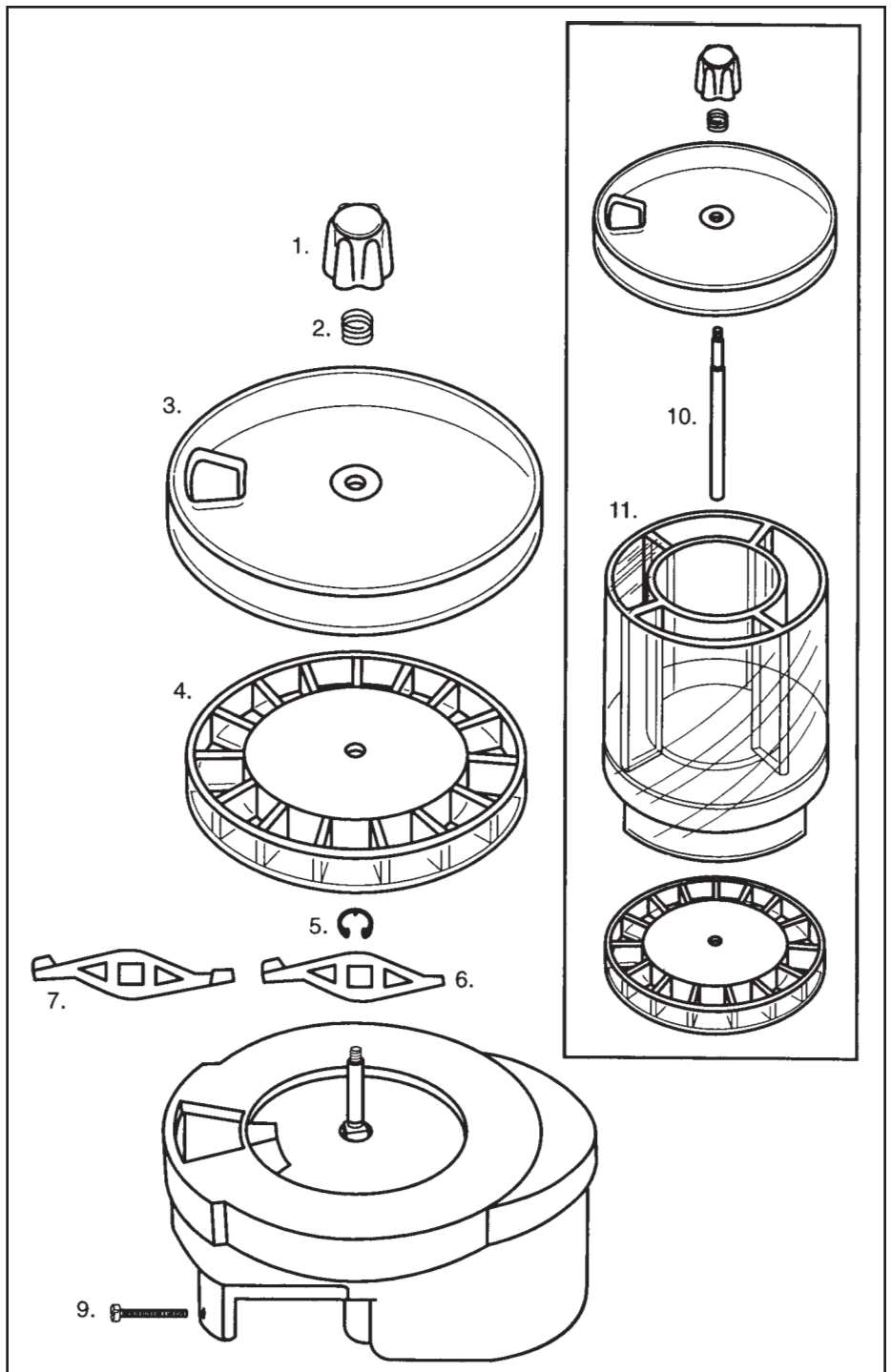
Tap fish feeder or hopper to remove any air pockets in order to settle the food. Break up large flake food into smaller pieces to allow a greater amount of food to be delivered at each feeding. Occasionally clean the hopper and feed dial with a dry cloth.



If your feeder is more than one year old, use the replacement parts list below to purchase the items you require for repair.

## REPLACEMENT PARTS LIST

Item #	Description	Part No.
1.	Knob with Insert	R270113
2.	Knob Spring	R270114
3.	Feed Dial Cover	R270115
4.	Feed Dial	R270116
5.	Retaining "E" Clip	R270117
6.	Single Feed Arm	R270118
7.	Double Feed Arm	R270119
9.	Nylon Mounting Screw	R270122
10.	Extension Shaft	R270137
11.	Hopper	R271038



### WARRANTY

Pentair Aquatics warrants to the original purchaser, this product to be free from defects in material or workmanship for a period of one year from the date of purchase, provided it is operated in accordance with factory instructions and operated within the environment and limitations for which it is designed. Pentair will not be liable for any labor cost of removing or replacing component parts. This shall be the responsibility of the original purchaser as will be shipping charges to and from the plant. Damage incurred by improper repackaging or in shipping is not covered by this warranty. Pentair will only be responsible for repair or replacement of any of its products or parts that are found to be defective and will not bear cost of any incidental or consequential damages arising out of the occurrence of such defect. This warranty gives you specific legal rights that vary from state to state.